

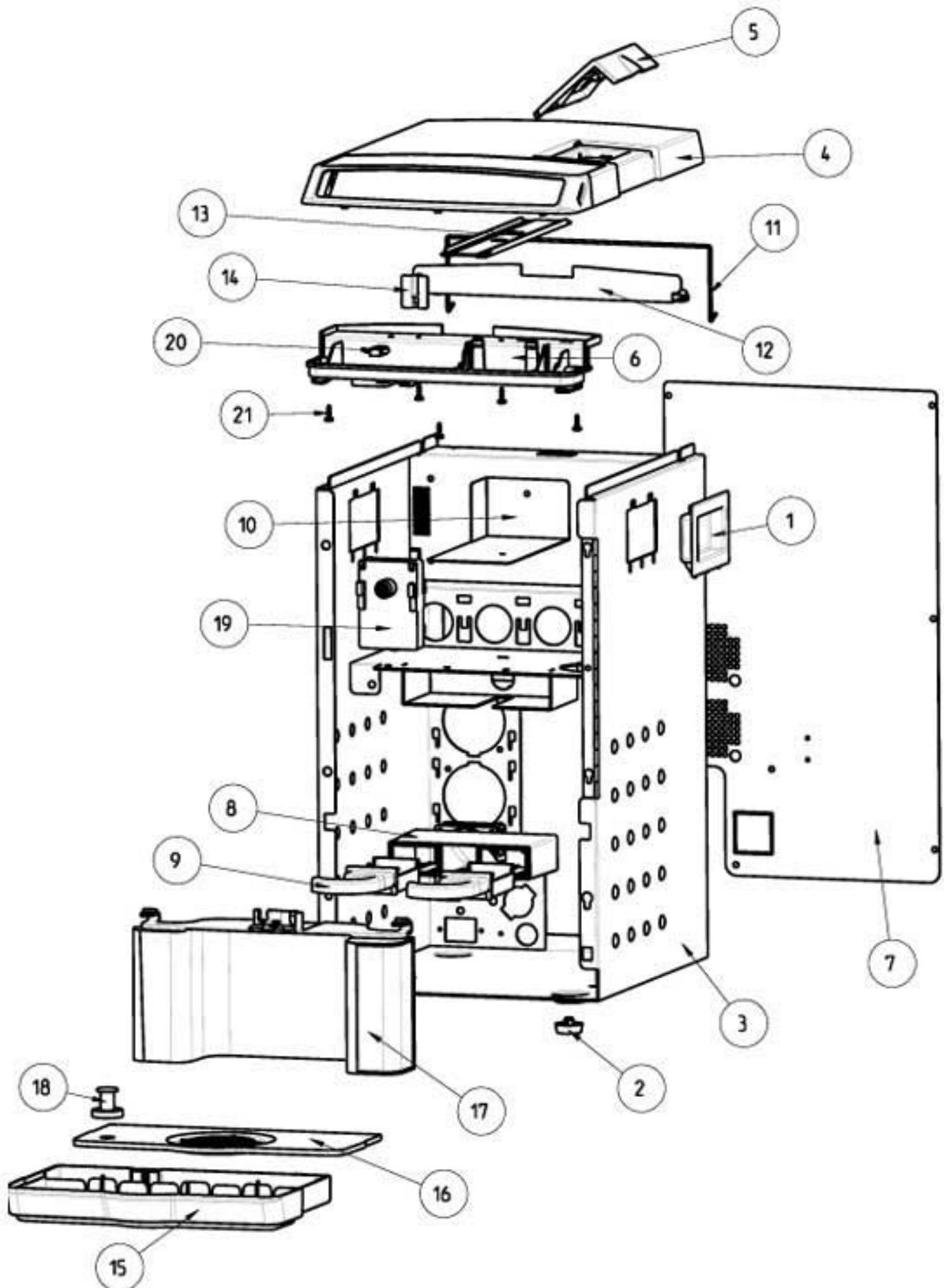
rheavendors 

vending machine

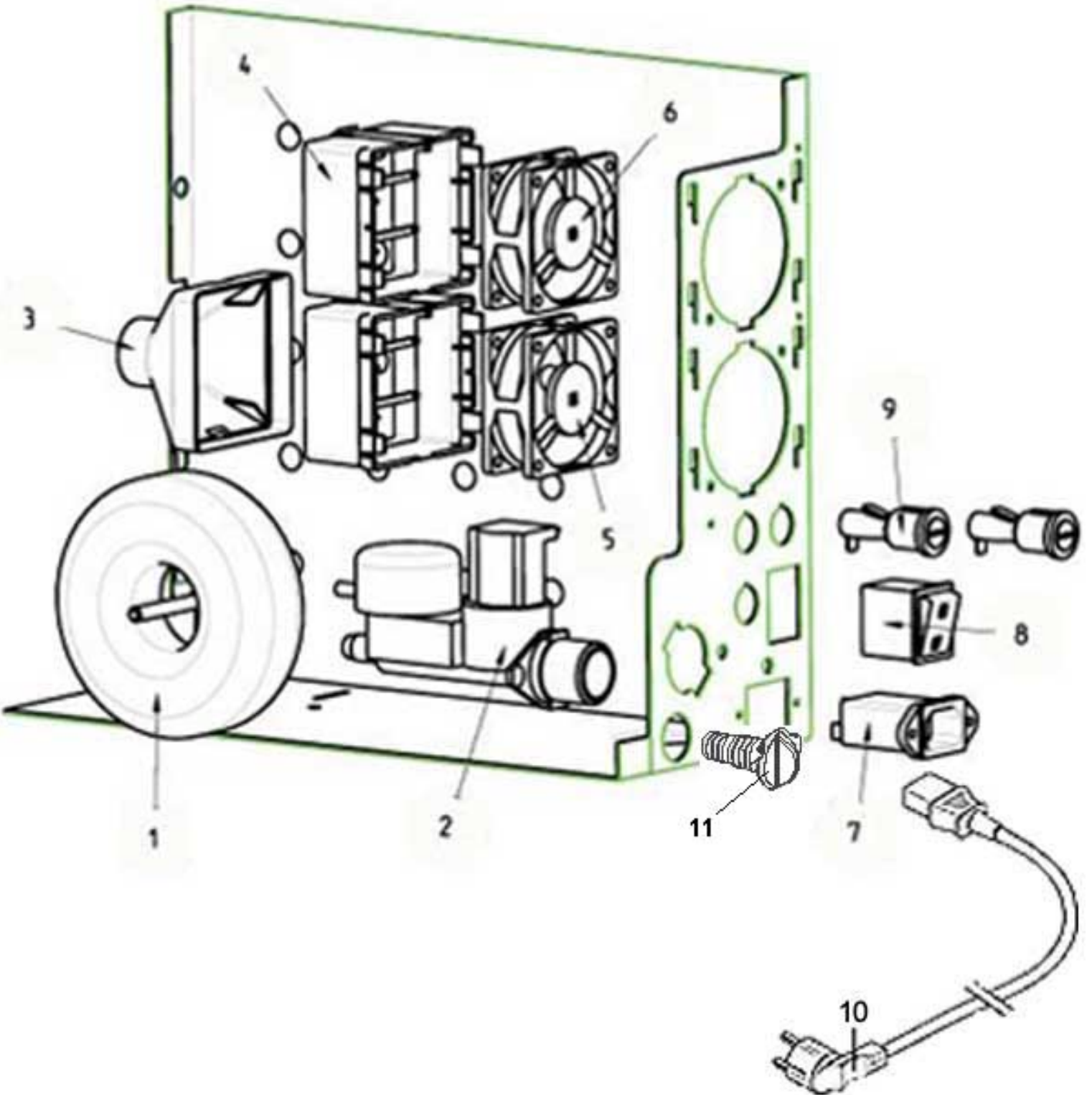
[MINI]



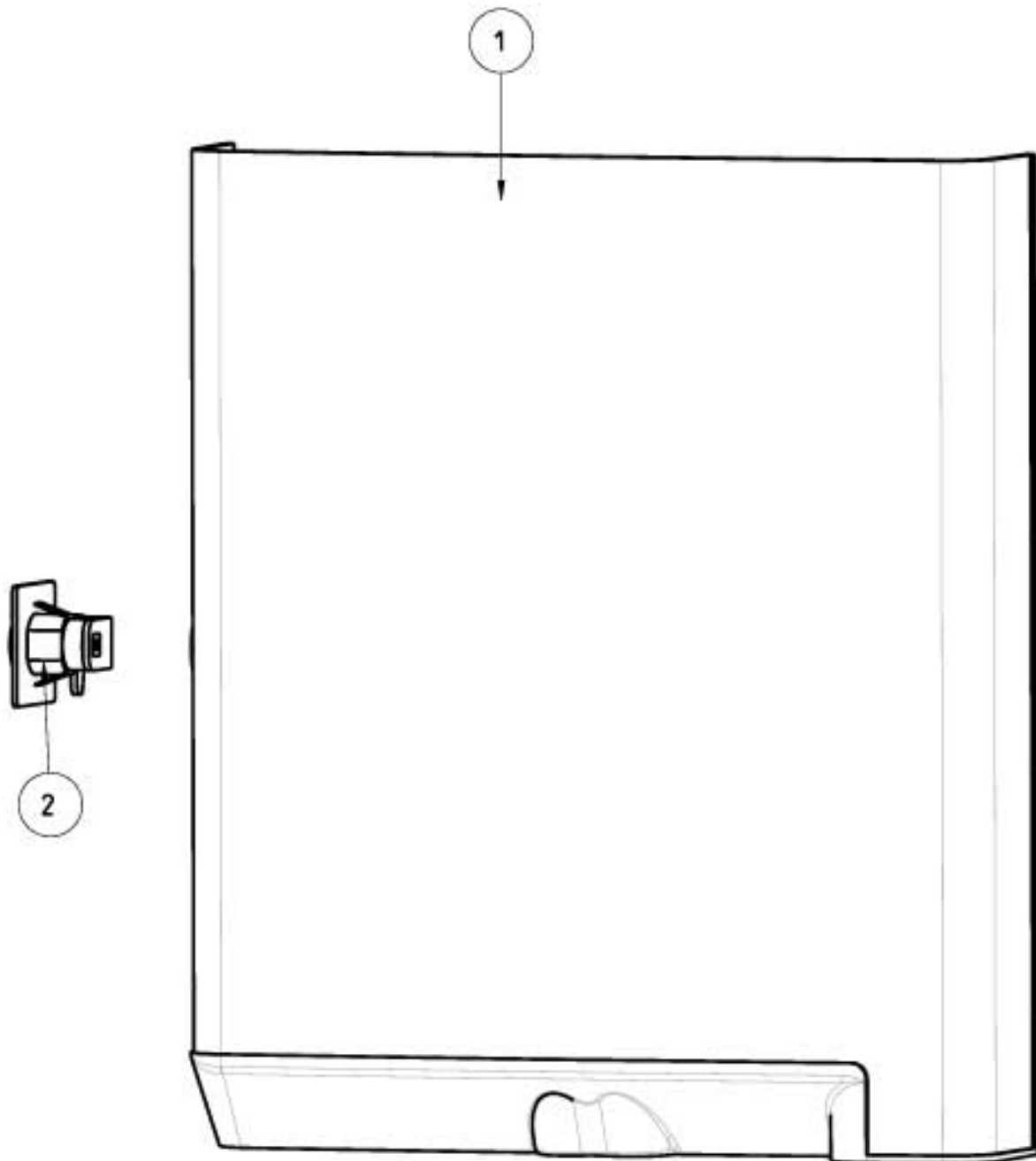
spare parts manual



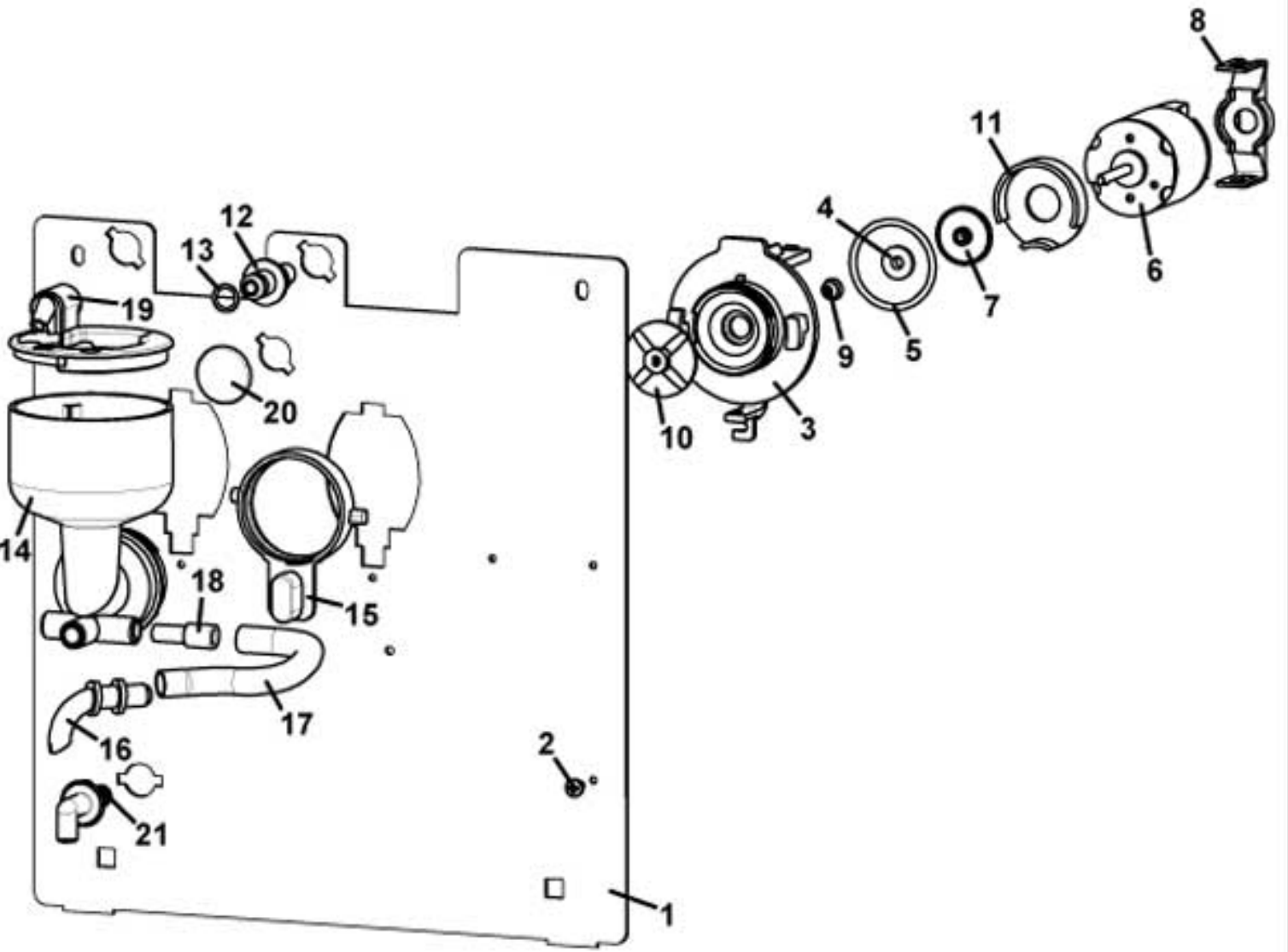
Pos.	Code	Description
1	0010027058	EXTERNAL HANDLE
	0010027058CU	EXTERNAL HANDLE NISSAN SILVER GREY
	0010027058NA	EXTERNAL HANDLE BLACK
2	GUA0011011	D.25 SELFLOCKING FEET WITH PIN
3/a	0010027005	BASE CABINET STRUCTURE
	0010027005CK	BASE CABINET STRUCTURE DUST GREY RAL 7037
	0010027005NA	BASE CABINET STRUCTURE BLACK
3/b	0010027125	S/B BASE CABINET STRUCTURE
4	0010027015	BASE CABINET COVER
	0010027015CU	BASE CABINET COVER NISSAN SILVER GREY
	0010027015NA	BASE CABINET COVER BLACK
5	0010027016	LIQUIDS COLLECTION TRAY
	0010027016CU	LIQUIDS COLLECTION TRAY NISSAN SILVER GREY
	0010027016NA	LIQUIDS COLLECTION TRAY BLACK
6	0010027017	COVER CLOSING
7/a	0010027018	BACK COVER Up to serial 0343999
7/b	0010027086R	BLACK BACK COVER From serial 0344001
7/c	0010027086R1	RAL 7037 BACK COVER From serial 0344001
8	0010027021	EXHAUST DRAWER
9	0010027022	EXTERNAL EXHAUST DRAWER
10	0010027028	PLANE CLOSING GASKET
11	0010027029	UPPER COVER CONNECTION
12	0010027045	UPPER COVER HINGE
13	0010027049	PLATE WIRING CLOSING
14	0010027055	SERVICE KEY
15	0020037037	WATER TRAY
	0020037037CU	WATER TRAY NISSAN SILVER GREY
	0020037037NA	WATER TRAY BLACK
	0020037037XC	WATER TRAY CHROMATE
16	0020037038	WATER COLLECTION DRAY GRATE
	0020037038CU	WATER COLLECTION DRAY GRATE NISSAN SILVER GREY
	0020037038NA	WATER COLLECTION DRAY GRATE BLACK
	0020037038XC	WATER COLLECTION DRAY GRATE CHROMATE
17/a	0020037041	CUPS STOP SUPPORT
	0020037041CU	CUPS STOP SUPPORT NISSAN SILVER GREY
	0020037041NA	CUPS STOP SUPPORT BLACK
17/b	0020037049	CUPS STOP SUPPORT WORKED
	0020037049CU	CUPS STOP SUPPORT WORKED NISSAN SILVER GREY
	0020037049NA	CUPS STOP SUPPORT WORKED BLACK
18	0020037044	FLOATER ASSEMBLY
19	0090002113	MR NCJM2480-X 24VDC
20	ELT0007301CL	MICRO XC8/JI + CABLE
21	VIT0002469	SCREW TC 3.5 x 10 FOR PLASTIC



Pos.	Code	Description
1/a	ELE0000555CL	TOROIDAL TRANSFORMER 230V FOR 230V VERSION
1/b	ELE0000568CL	TOROIDAL TRANSFORMER 100v FOR 100V VERSION
1/c	ELE0000571CL	100 VA TRANSFORMER
2	0110001039	24 DC INLET VALVE W/SAFETY DEV.
3	0010027065	CONNECTION CONDUIT IF THE VENDING MACHINE I OLDER THAN THE PART NUMBER 0344001 PLEASA BUY ALSO POS.4 +
4	0010027064	FAN TRAY
5	ELE0000461	AXIAL FAN AD0624HS 24DC
6	ELE0000462	AXIAL FAN FL0625LD 24DC
7/a	ELE0002315	FILTER SOCKET 115/250V 10A FOR 230V VERSION
7/b	ELE0002316	FILTER SOCKET15A 120V FOR 100V VERSION
8	ELE0002014	15A 250V ON/OFF UL/CSA BIPOLAR SWITCH
9/a	ELE0003508CL	FUSES HOLDER FH-C0345+FUSE12A FOR 230V VERSION
9/b	ELE0003508CL1	FUSES HOLDER FH-C0345+FUSE15A FOR 100V VERSION
10/a	ELE0055008	POWER LEAD 3 x 1 SOCKET AND SCHUKO PLUG FOR 230V VERSION
10/b	ELE0055015	POWER LEAD+15A XS UL SOCKET+PLUG FOR 100V VERSION
10/c	ELE0055009	POWER LEAD 3 x 1 WITH IEC SOCKET AND CH PLUG
10/d	ELE0055010	POWER LEAD 3 x 1 WITH IEC SOCKET AND GB
10/e	ELE0055013	POWER LEAD IL IEC SOCKET
10/f	ELE0055018	POWER LEAD ZA+IEC PLUG
10/g	ELE0055021	POWER LEAD IRAM+IEC PLUG
11	0600016455	H2O RAPID DISCHARGE PLUG

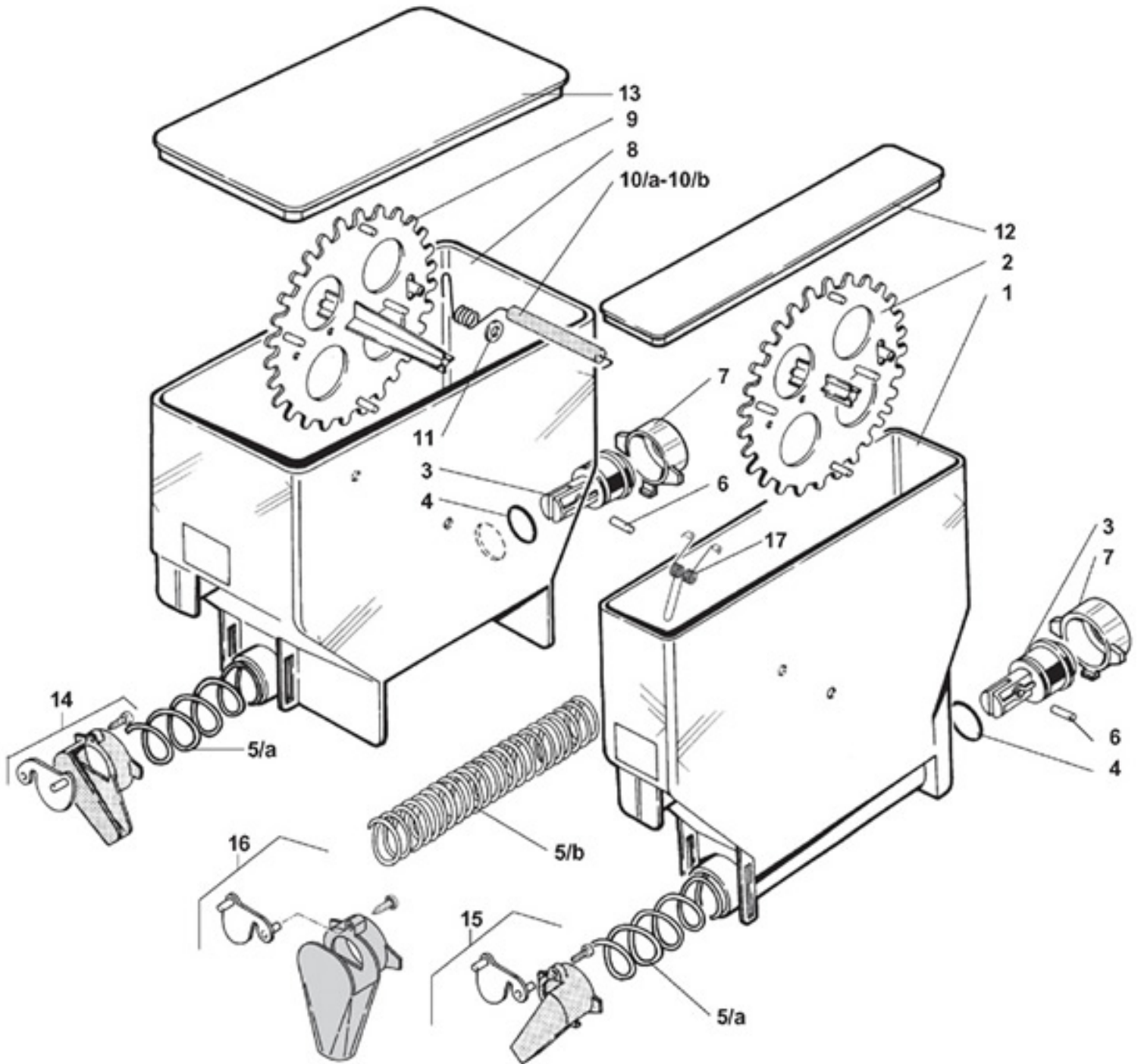


Pos.	Code	Description
1	0020037035	DOOR
	0020037035CU	DOOR NISSAN SILVER GREY
	0020037035NA	DOOR BLACK
2	0020037015R	ASSEMBLY DOOR LOCK

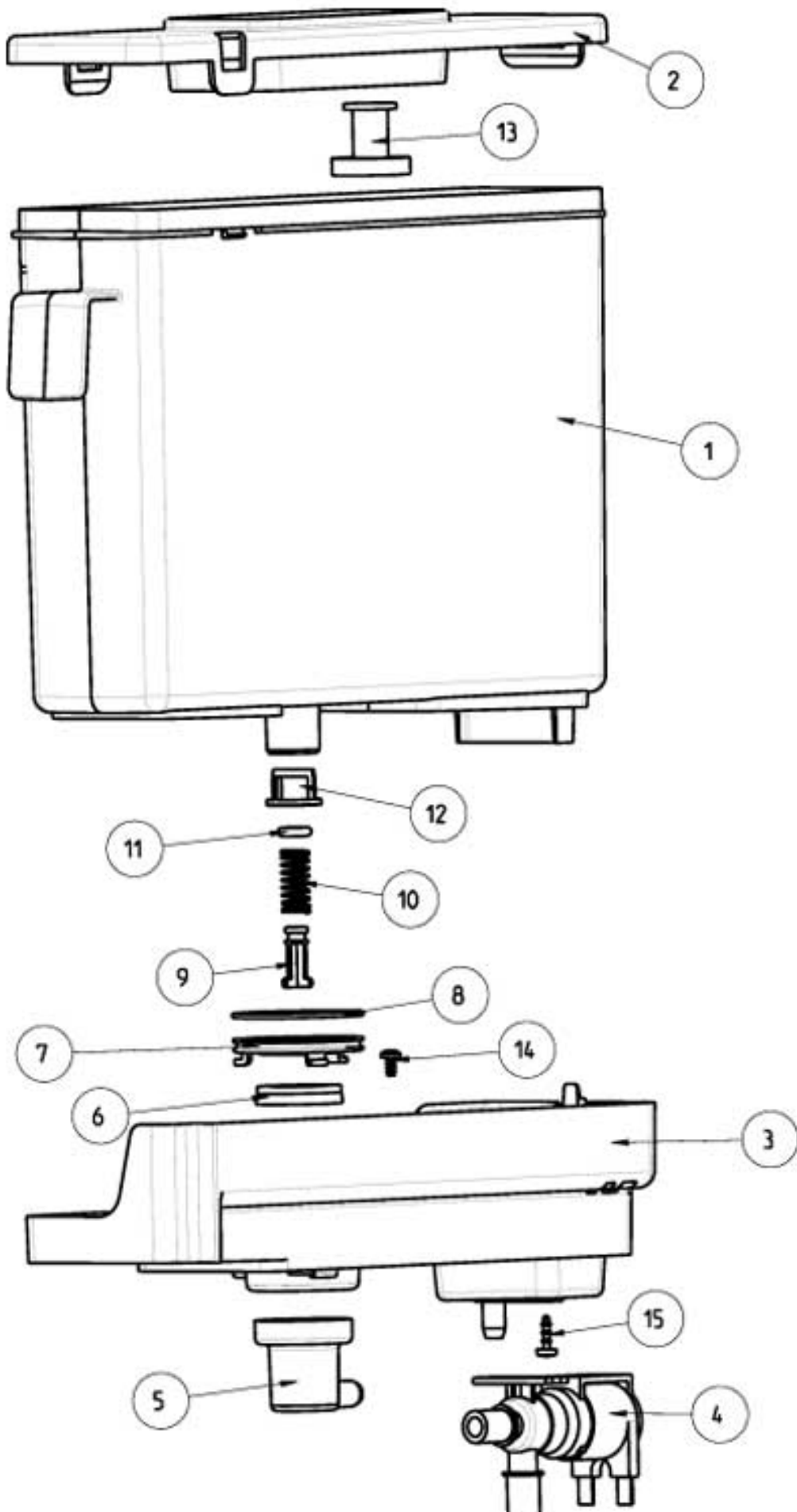


Pos.	Code	Description
1	0010027019	MIXER PLAN
	0010027019CK	MIXER PLAN DUST GREY RAL 7037
	0010027019NA	MIXER PLAN BLACK
2	VIT0000012	SCREW T.C.B. M 4 x 10
3	0080100005	MIXER BASE
4	0080100015	MIXER BASE BUSH
5	GUA0000084	OR 3131
6	0090003023	24 V DC MIXER MOTOR SHAFT D.4
7	0080100024	DRIP TRAP FAN
8	0080100009	MOTOR HOUSING CONNECTION
	0080100009IC	MOTOR HOUSING CONNECTION ORANGE RAL 2011
9	0080100014	MIXER SHAFT GASKET D.4
10	0080100011	SMALL FAN MIXER SHAFT D.4
	0080100011PL	SMALL FAN MIXER SHAFT D.4 OVERSEAS BLUE RAL 5002
11	0080100023	MIXER COVER
	0080100023IC	MIXER COVER ORANGE RAL 2011
12	0080100043	SHORT MIXER INSERT
13	GUA0000085	SILICONE OR 106
14	0080100041	MIXER BODY NO INLET
	0080100041PL	MIXER BODY NO INLET OVERSEAS BLUE RAL 5002
15	0080100006	STOPPER RING
	0080100006IC	STOPPER RING ORANGE RAL 2011
16/a	0010020052	INGREDIENT PIPE
16/b	0380010657	DISPENSER PIPE
	0380010657NA	DISPENSER PIPE BLACK
17	TSIL06/11T	TRANSPARENT SILICONE PIPE
18	0080100095	COFFEE OUTLET REDUCTION D.4
19	0080100042	MIXER TRAP WITH INLET
	0080100042PL	MIXER TRAP WITH INLET OVERSEAS BLUE RAL 5002
20	0080100035	PLUG FOR CONNECTION SEAT
	0080100035NA	PLUG FOR CONNECTION SEAT BLACK
21	0080100084	90° CONNECTION
100	0080100001R	MIXER BASE+MOTOR ASSEMBLY

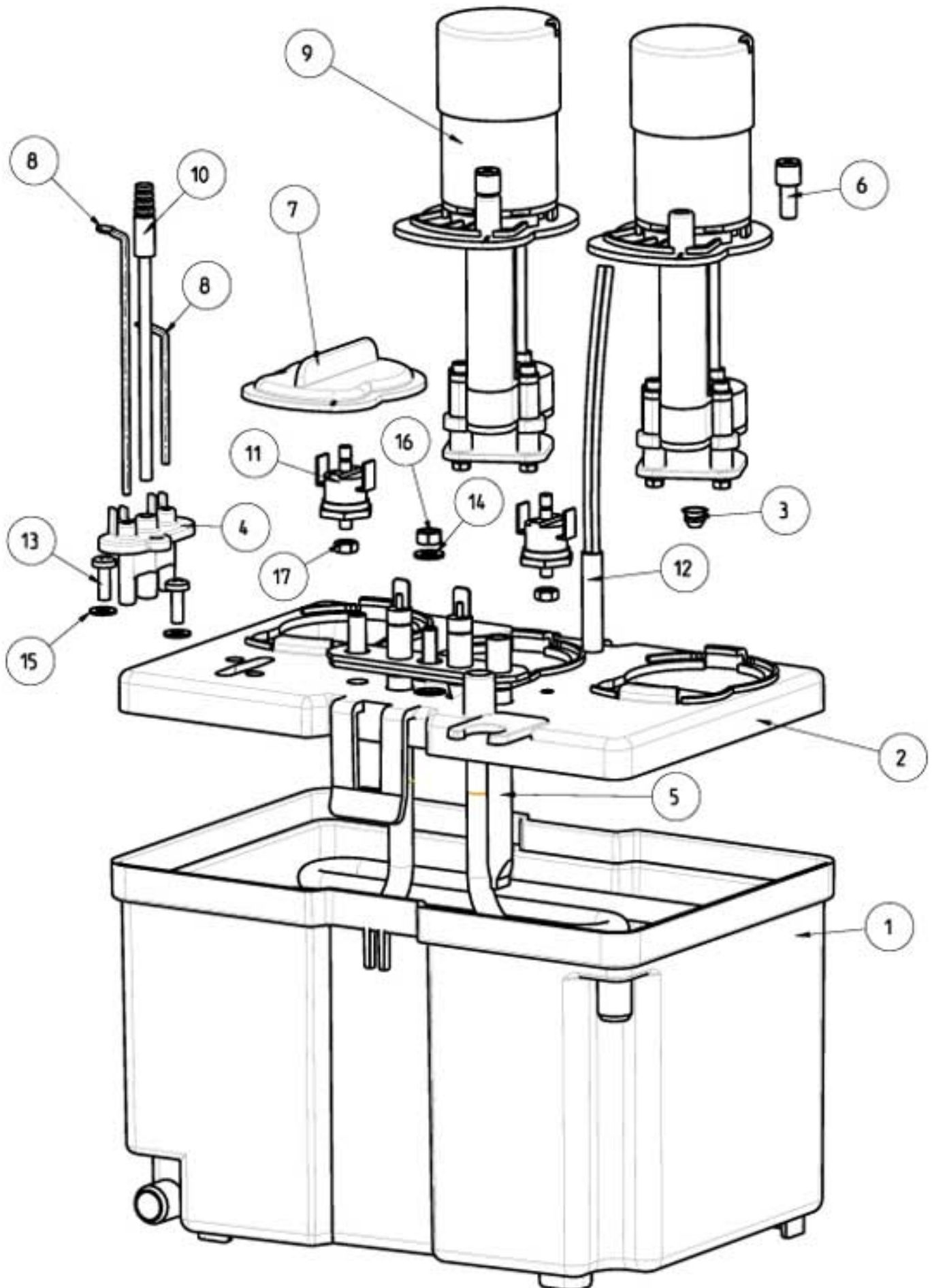
assieme



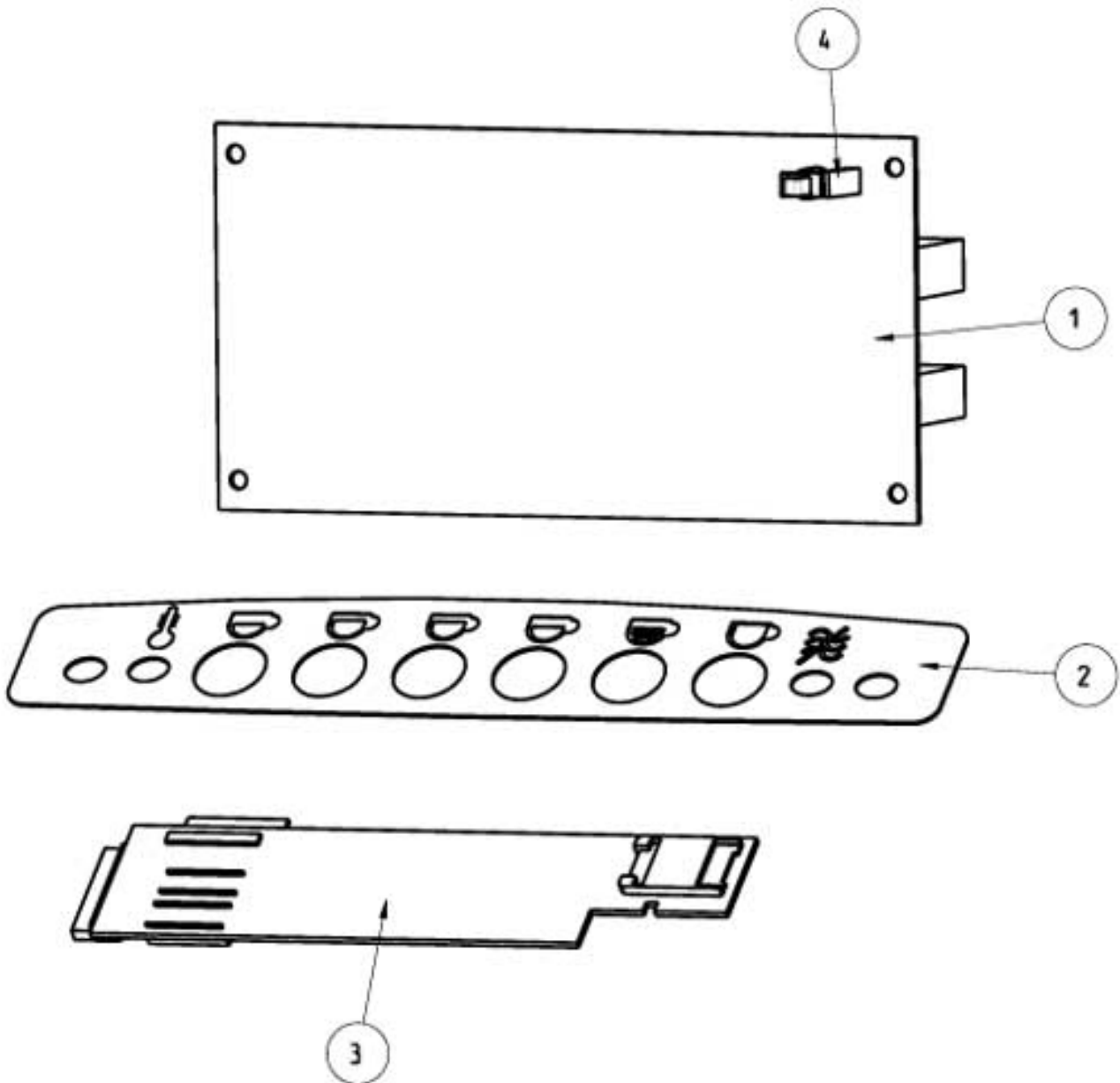
Pos.	Code	Description
1	0230030155	PLASTIC INGREDIENT CONTAINER 55 mm. PP
2	0230030159	MIXER GEAR
	0230030159IC	MIXER GEAR ORANGE RAL 2011
3	0230030012	WORM SCREW PIN
4	GUA0000083	OR 123
5/a	0230030014	WORM SCREW P.18
5/b	0230030013	WORM SCREW P. 9
6	VIT0005301	ELASTIC PIN D.2 x 14
7	0230030011	REAR BUSH
8	0230030157	PLASTIC INGREDIENT CONTAINER 110 mm. PP
9	0230030161	MIXER GEAR mm.110
	0230030161IC	MIXER GEAR mm.110 ORANGE RAL 2011
10/a	0230030041	INGREDIENT MIXER 112 mm. R.H. OUTLET
10/b	0230030042	INGREDIENT MIXER 112 mm. L.H. OUTLET
11	VIT0003210	STAINLESS STEEL FLAT WASHER D. 8.4 x 14 x 1.6
12	0230030156	CONTAINER COVER 54 mm.
13	0230030158	CONTAINER COVER 110 mm.
14/a	0230030058R	RIGHT CONVEYOR INGREDIENT
14/b	0230030044R	RIGHT CONVEYOR INGREDIENT
15/a	0230030057R	LEFT CONVEYOR INGREDIENT
15/b	0230030043R	LEFT CONVEYOR INGREDIENT
16/a	0230030059R	CONVEYOR INGREDIENT
16/b	0230030055R	CONVEYOR INGREDIENT
17	0230030052	ANTIBRIDGING
100	0230030013CL	PIN WORM SCREW P. 9 ASSEMBLED
101	0230030014CL	PIN WORM SCREW P. 18 ASSEMBLED
102	0230030155R	INGREDIENT CONTAINER 54 mm WORM SCREW 18 WITHOUT FEEDER
103	0230030156R	PRODUCT CONTAINER 54 mm WORM SCREW 9 WO/FEEDER
104	0230030159R	PROD. CONT. 110 mm WORM SCREW 112 mm WORM SCREW WO/FEEDER L.H. OUTLET
105	0230030164R	PROD. CONT. 54 mm VSF18 W/COVER - MIXER
106	0230030165R	PROD. CONT. 54 mm VSF9 W/COVER - MIXER



Pos.	Code	Description
1	0800012506	WATER TANK
2	0800012507	COVER WATER TANK
3	0800012511	SUPPORT WATER TANK
4	0110001103	EV NC.2VIE S/R 24DC D.7
5	0800012512	WATER TANK ELBOW
6	GUA0002100	GASKET GU84-118075 SILIC.
7	0800012515NA	RING STOPPER GASKET
8	GUA0000046	2137 OR
9	0800012009	WATER TANK CLOSING PIN
10	0800012012	CLOSING PIN SPRING
11	GUA0000082	SILICONE GASKET D.6 CORD 3
12	0110020011	FILTER
13	0020037046	FLOATER "T"RAL3020 XX
14	VIT0002009	TAPPING SCREW T.C.B. 3,5 x 6,5
15	VIT0002452	TAPPING SCREW TCB 3.5 x 12
100	0800012500CL	WATER TANK ASSEMBLED (POS.1+2 AND FROM POS.9 TI POS.12)
101	0800012511CL	WATER TANK ASSEMBLED SUPPORT (POS. 3+5+6+7+8)



Pos.	Code	Description
1	0600016401	BOILER TANK
2	0600016402	BOILER COVER
3	0080100014	MIXER SHAFT GASKET D.4
4	0600016059	PROBE SUPPORT
5/a	0600016415R	1300W 230V C/GUA HEATING ELEMENT FOR 230V VERSION
5/b	0600016438	1100W 100V HEATING ELEMENT FOR 100V VERSION
5/c	0600016437	1100W 115V HEATING ELEMENT
6	0600016425	REDUCTION
7	0600016422	PUMP COVER
8	0600016054R	BOILER LEVEL PROBE
9	0600016405R	BOILER PUMP
10	ELE0000963R	PRIMA SOLUBLE PROBE
11	ELE0000965	MANUAL RESET THERMOSTAT 88°C
12	ELE0003026CL	121° FUSE ASSEMBLED
13	VIT0001005	SCREW T.C.B. M 4 x 12
14	VIT0003203	STAINLESS STEEL FLAT WASHER D.5.3 x 10 x 1
15	VIT0003211	STAINLESS STEEL FLAT WASHER D.4,3 x 9 x 0,8
16	VIT0004804	STAINLESS STEEL NUT M5
17	VIT0004816	STAINLESS STEEL NUT M4
100	0600016400CL	BOILER ASSEMBLY 230V XX
101	0600016420CL	3 PUMP BOILER ASSEMBLY 230V XX
102	0600016402CL	BOILER ASSEMBLY 100V XX
103	0600016401CL	BOILER ASSEMBLY 120V XX
104	0600016403CL	BOILER ASSEMBLY 120V-UL XX
105	0600016422CL	3 PUMP BOILER ASSEMBLY 120V-UL XX



MINI - CONTROL AND POWER LOGIC

Pos.	Code	Description
1	SCH0007240	CPU POWER W/HOLDER BATTERY
2/a	0010027031	STD SILK-SCREEN KEYBOARD FOR 230V VERSION
2/b	0010027032	SCREEN NUMERICAL KEYBOARD FOR 100V VERSION
2/c	0010027035	SCREEN KEYBOARD
3	SCH0005220R	KEYBOARD INTERFACE + FLAT CABLE
4	ELE0062008	BOARD SUPPORT